

BROWNLEE -MORROW

ENGINEERING COMPANY INCORPORATED

BROWNLEE-MORROW ENGINEERING CO. • 7450 CARADA VALLEY ROAD • BIRMINGHAM, AL 35248
PHONE (205) 991-7222 • FAX (205) 996-9933 • WWW.BMICO.COM

PIPING & EQUIPMENT ARRANGEMENT
FUEL OIL FORWARDING SKID

SCALE: NOT TO SCALE
DRAWN BY: 502 JB
CHECKED BY: LB
APPROVED BY: BB

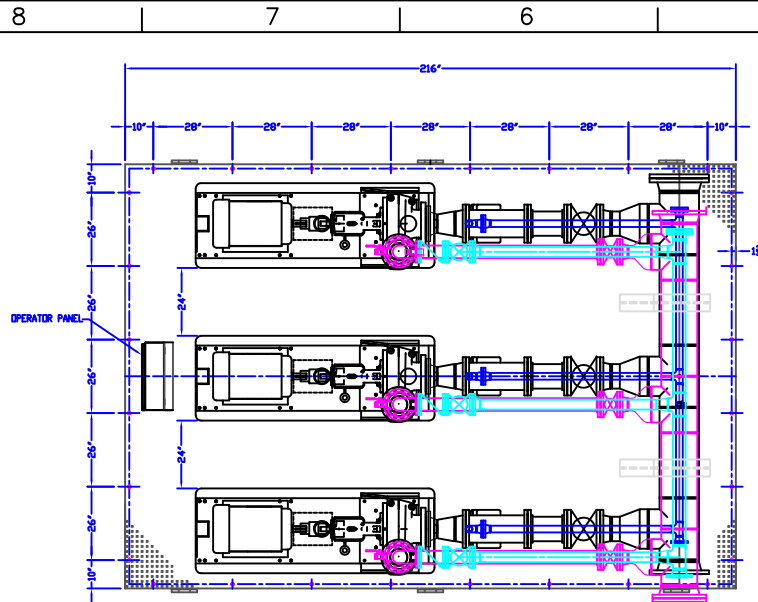
CUSTOMER:

DRAWING NO.: SHEET 1 OF 1
BMS-2202010-1

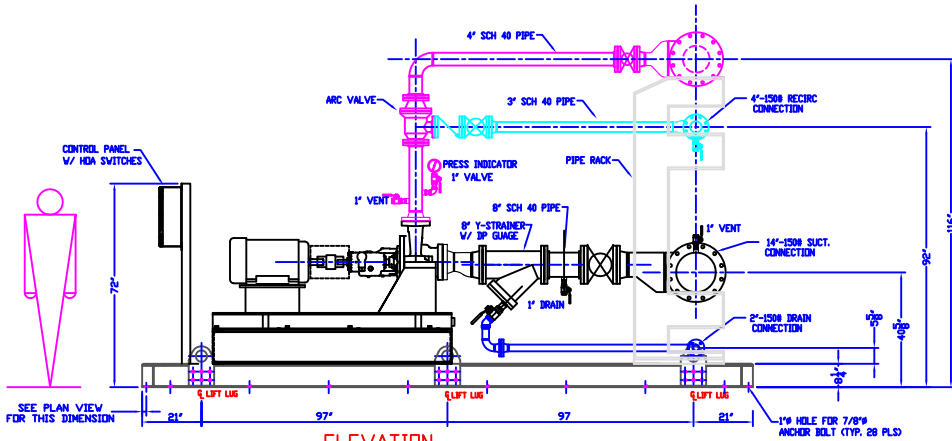
BILL OF MATERIALS		
ITEM	QTY	DESCRIPTION
1	3	FUEL OIL TRANSFER PUMP GOULDS MODEL 3700 4x6-15H API 610
2	3	SMP, 1800RPM, 355T FRAME MOTOR
3	3	AUTOMATIC RECIRC. VALVE 4x4x3, HBE NFR., MODEL DLPM-16-015-14279
4	6	ALL 150# FLANGED GATE VALVES (CRANE MFR)
5	6	ALL 150# FLANGED CHECK VALVES (CRANE MFR)
6	6	ALL 1 1/2" BALL VALVES OILWAKEE NFR
7	3	MUELLER 8" FLANGED Y-STRAINER W/DIFFERENTIAL PRESSURE TAPS & GAUGE
8	1	CONTROL PANEL WITH HDA SWITCHES

NOTES:

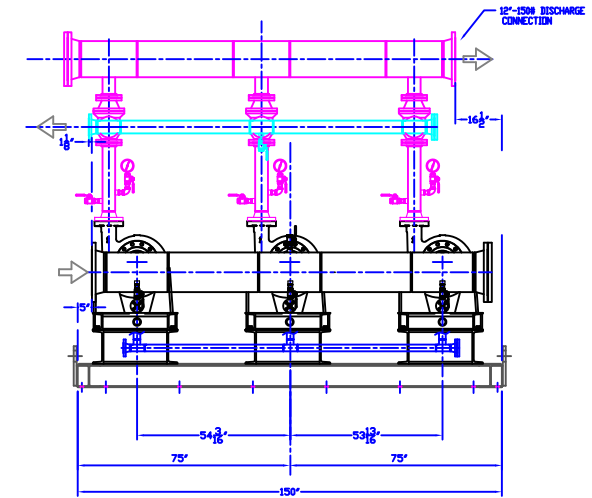
1. All dimensions are in inches unless noted.
2. Piping to be schedule 40, pickled & passivated A-106 seamless carbon steel.
3. Finish is sandblast and Epoxy paint as per specs.
4. Flange Gate & check valves are Crane manufacture.



PLAN



ELEVATION



END VIEW

**DB-SD-4100
FUEL OIL FORWARDING SKID**

APPROX. ASSEMBLY WT. = 32,266 LBS.

△	DELETE EXTRA FLANGES & ADD TAG NUMBERS	4-09-2010	LRB
△	DROPPED TRANSMITTERS & CHANGED MOTOR FRAME TO 30 HP	2-23-2010	LRB
△	FIRST RELEASE	2-20-2010	LRB
REV	DESCRIPTION	DATE	BY